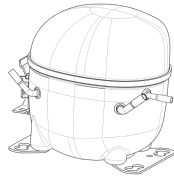


220-240V 50 1~

**GENERAL DATA****Application:** LBP**Refrigerant:** R404A**Evaporating Temperature Range:** -40°C to -10°C**Compressor Cooling:** Fan**Fan air flow:** 520 m³/h**Type:** Hermetic reciprocating**Technology Type:** On-Off**Expansion Device:** Capillary Tube or Expansion Valve**Packing Quantity:** Single - 1 pc**Displacement:** 12.11 cm³**Horse power:** 3.4 hp
 Approvals:     
**MECHANICAL DATA****Bore:** 27.78 mm**Stroke:** 20 mm**Oil Charge:** 350ml +/-15ml**Free Internal Volume:** 2.1 cm³**Maximum Recommended Refrigerant Charge:** 350 g**Oil Type Configuration:** Polyolester**Oil Type Viscosity:** ISO22**Compressor pressurization:** Dry air charge**Weight:** 11.5 kg**ELECTRICAL DATA****Motor Type:** CSIR**Starting Torque:** HST**Voltage working range at 50 Hz:** 198-254 V**Maximum Motor Temperature:** 130 °C**Start Winding Resistance:** 27.95 Ω (± 10%) at 25°C**Run Winding Resistance:** 5.11 Ω (± 10%) at 25°C**Locked Rotor Amperage (LRA):** 18 A**MOUNTING ACCESSORIES**

	Description	Code
Anchorage:	no	-
Capacitor Bracket:	no	-
Washer:	no	-
Pin:	no	-
Clip:	no	-
Rotolock valve:	no	-
Cover:	yes	2075282
Grommets:	yes	2221011
Sleeves:	yes	2222018
Terminal Board:	yes	1027060
Overload Protector Bracket:	yes	2075299

ELECTRICAL COMPONENTS

	Component type	Description	Code
Start Capacitor:		64-77 MFD 330V	2252352
Starting Device:	Current relay	MTRP-49-65	2334118
Motor Protection:	External 3/4"	T0964/G6	2319135

EXTERNAL CHARACTERISTICS**Base Plate:** European**Tray Holder:** No**Height:** 206 mm

	Internal Diameter (mm)	Material	Shape
Suction Connector	8.1	Copper	Slanted 42°
Discharge Connector	6.1	Copper	Straight



RATED POINT DATA

Cooling Capacity (W)	Power Consumption (W)	Current Consumption (A)	Gas Flow Rate (kg/h)	Efficiency (W/W)
±5%	±5%	±5%	±5%	±7%
363	342	2.62	9.11	1.06

Test condition: EN 12900, Fan, Return Gas 20°C, Subcooling OK, Evaporating: -35°C, Condensing: 40°C, Ambient: 35°C

PERFORMANCE CURVE DATA

220V 50Hz

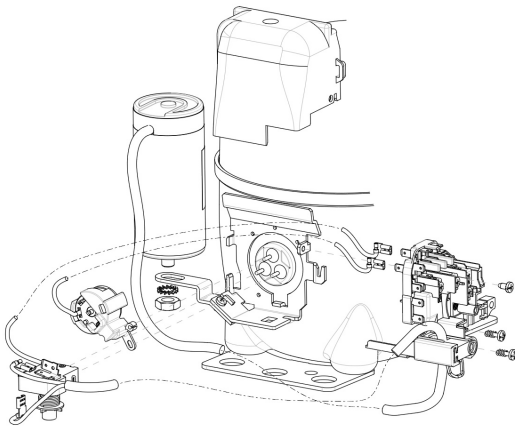
Condensing Temperature (°C)	Evaporating Temperature (°C)	Cooling Capacity (W)	Power Consumption (W)	Current Consumption (A)	Gas Flow Rate (kg/h)	Efficiency (W/W)
		±5%	±5%	±5%	±5%	±7%
35°C	-10	1 272	569	3.32	31.01	2.24
	-15	1 043	520	3.14	25.25	2.01
	-20	842	472	2.98	20.24	1.78
	-25	667	425	2.84	15.96	1.57
	-30	519	379	2.72	12.37	1.37
	-35	398	335	2.62	9.46	1.19
	-40	304	292	2.54	7.19	1.04

Condensing Temperature (°C)	Evaporating Temperature (°C)	Cooling Capacity (W)	Power Consumption (W)	Current Consumption (A)	Gas Flow Rate (kg/h)	Efficiency (W/W)
		±5%	±5%	±5%	±5%	±7%
45°C	-10	1 067	633	3.54	29.32	1.69
	-15	875	570	3.30	23.86	1.53
	-20	705	510	3.09	19.09	1.38
	-25	557	453	2.91	15.00	1.23
	-30	432	399	2.76	11.56	1.08
	-35	328	347	2.63	8.75	0.94

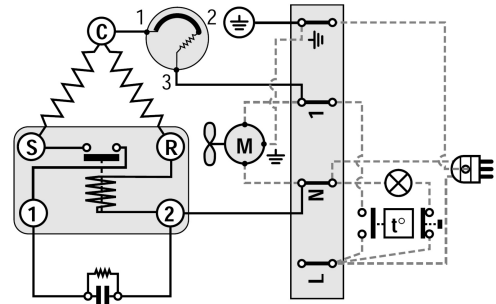
Condensing Temperature (°C)	Evaporating Temperature (°C)	Cooling Capacity (W)	Power Consumption (W)	Current Consumption (A)	Gas Flow Rate (kg/h)	Efficiency (W/W)
		±5%	±5%	±5%	±5%	±7%
55°C	-10	870	696	3.79	27.78	1.25
	-15	713	619	3.48	22.57	1.15
	-20	574	546	3.22	18.01	1.05
	-25	452	477	2.99	14.07	0.95
	-30	346	413	2.81	10.73	0.84

Test condition: EN 12900, Fan, Return Gas 20°C, Subcooling OK, Ambient: 35°C

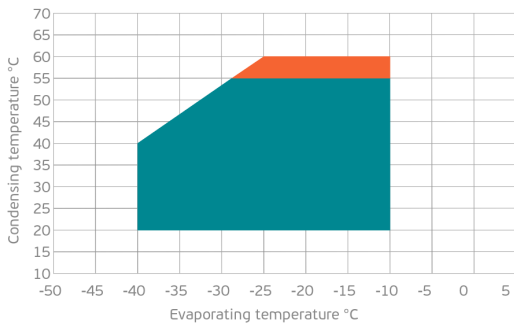
ASSEMBLY INSTRUCTION



WIRING DIAGRAM

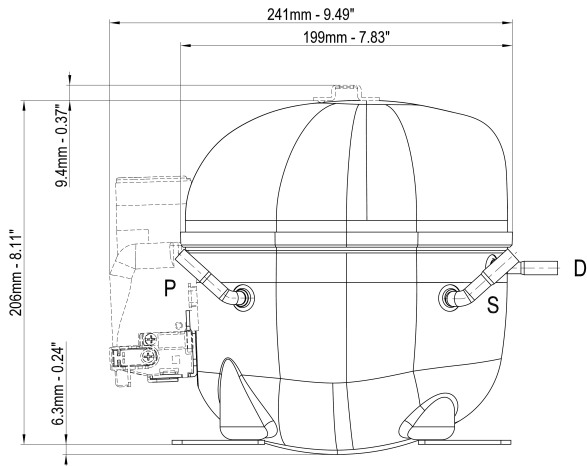


OPERATING ENVELOPE



- Operating Condition
- Transient Condition
- Superheating

NOTE: usage of compressors outside of intended working range cannot make use of the warranty, or should be consulted with Technical support.



	∅ mm	∅ in	Material
S - Suction	8.10 - 8.20	0.32	Cu
P - Process	6.10 - 6.20	0.24	Cu
D - Discharge	6.10 - 6.20	0.24	Cu

