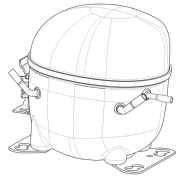


220-240V 50 1~**GENERAL DATA**

Application: LBP
Refrigerant: R404A
Evaporating Temperature Range: -40°C to -10°C
Compressor Cooling: Fan
Fan air flow: 520 m³/h
Type: Hermetic reciprocating
Technology Type: On-Off
Expansion Device: Capillary Tube or Expansion Valve
Packing Quantity: Single - 1 pc
Displacement: 14.28 cm³
Horse power: 3.4 hp

Approvals:     

**MECHANICAL DATA**

Bore: 30.16 mm
Stroke: 20 mm
Oil Charge: 350ml +/-15ml
Free Internal Volume: 2.1 cm³
Maximum Recommended Refrigerant Charge: 350 g
Oil Type Configuration: Polyolester
Oil Type Viscosity: ISO22
Compressor pressurization: Dry air charge
Weight: 11.8 kg

ELECTRICAL DATA

Motor Type: CSIR
Starting Torque: HST
Voltage working range at 50 Hz: 198-254 V
Maximum Motor Temperature: 130 °C
Start Winding Resistance: 13.91 Ω (± 10%) at 25°C
Run Winding Resistance: 4.48 Ω (± 10%) at 25°C
Locked Rotor Amperage (LRA): 22 A

MOUNTING ACCESSORIES

	Description	Code
Anchorage:	no	-
Capacitor Bracket:	no	-
Washer:	no	-
Pin:	no	-
Clip:	no	-
Rotolock valve:	no	-
Cover:	yes	2075282
Grommets:	yes	2221011
Sleeves:	yes	2222018
Terminal Board:	yes	1027060
Overload Protector Bracket:	yes	2075299

ELECTRICAL COMPONENTS

	Component type	Description	Code
Starting Device:	Current relay	MTRPH-0055-65	2334148
Motor Protection:	External 3/4"	MST26ALK-3259	2319147
Start Capacitor:		88-108 MFD 330V	2252348

EXTERNAL CHARACTERISTICS

Base Plate: European
Tray Holder: No
Height: 206 mm

	Internal Diameter (mm)	Material	Shape
Suction Connector	8.1	Copper	Slanted 42°
Discharge Connector	6.1	Copper	Straight



RATED POINT DATA

Cooling Capacity (W)	Power Consumption (W)	Current Consumption (A)	Gas Flow Rate (kg/h)	Efficiency (W/W)
±5%	±5%	±5%	±5%	±7%
413	380	2.63	10.37	1.09

Test condition: EN 12900, Fan, Return Gas 20°C, Subcooling OK, Evaporating: -35°C, Condensing: 40°C, Ambient: 35°C

PERFORMANCE CURVE DATA**220V 50Hz**

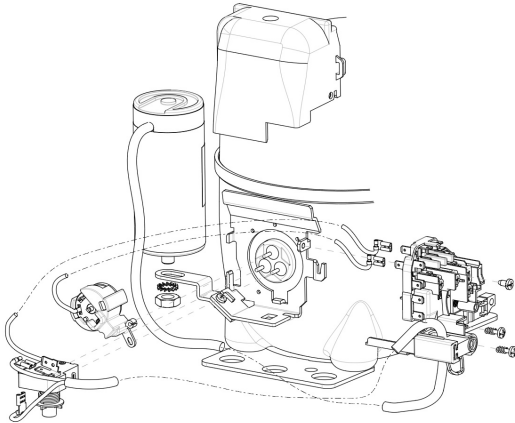
Condensing Temperature (°C)	Evaporating Temperature (°C)	Cooling Capacity (W)	Power Consumption (W)	Current Consumption (A)	Gas Flow Rate (kg/h)	Efficiency (W/W)
		±5%	±5%	±5%	±5%	±7%
35°C	-10	1 444	669	3.72	35.21	2.16
	-15	1 185	606	3.45	28.68	1.96
	-20	957	544	3.21	22.99	1.76
	-25	758	485	2.99	18.13	1.56
	-30	590	428	2.79	14.05	1.38
	-35	453	372	2.61	10.75	1.22
	-40	345	319	2.46	8.19	1.08

Condensing Temperature (°C)	Evaporating Temperature (°C)	Cooling Capacity (W)	Power Consumption (W)	Current Consumption (A)	Gas Flow Rate (kg/h)	Efficiency (W/W)
		±5%	±5%	±5%	±5%	±7%
45°C	-10	1 213	747	4.05	33.33	1.62
	-15	1 001	667	3.70	27.28	1.50
	-20	810	591	3.39	21.94	1.37
	-25	642	519	3.11	17.29	1.24
	-30	496	451	2.86	13.30	1.10
	-35	372	386	2.65	9.94	0.96

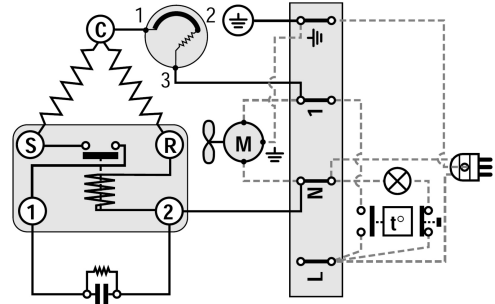
Condensing Temperature (°C)	Evaporating Temperature (°C)	Cooling Capacity (W)	Power Consumption (W)	Current Consumption (A)	Gas Flow Rate (kg/h)	Efficiency (W/W)
		±5%	±5%	±5%	±5%	±7%
55°C	-10	982	826	4.38	31.35	1.19
	-15	814	728	3.95	25.76	1.12
	-20	661	636	3.56	20.75	1.04
	-25	523	549	3.22	16.28	0.95
	-30	398	469	2.93	12.35	0.85

Test condition: EN 12900, Fan, Return Gas 20°C, Subcooling OK, Ambient: 35°C

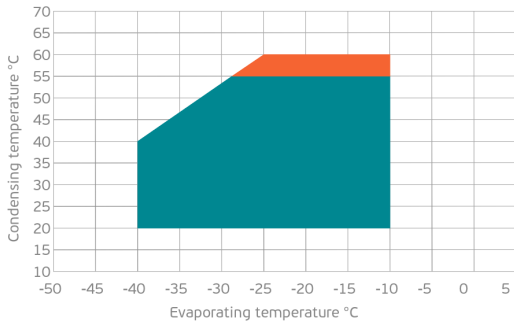
ASSEMBLY INSTRUCTION



WIRING DIAGRAM

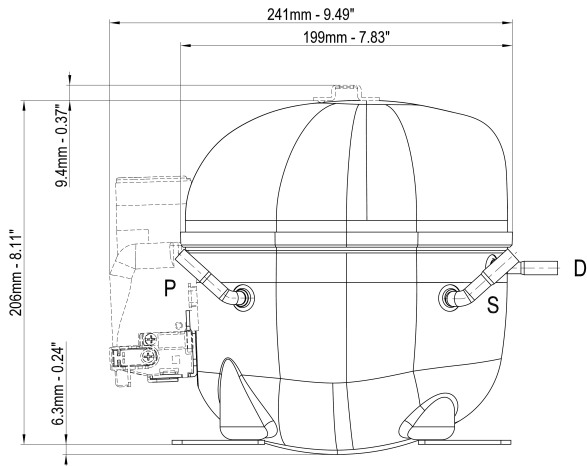


OPERATING ENVELOPE



- Operating Condition
- Transient Condition
- Superheating

NOTE: usage of compressors outside of intended working range cannot make use of the warranty, or should be consulted with Technical support.



	∅ mm	∅ in	Material
S - Suction	8.10 - 8.20	0.32	Cu
P - Process	6.10 - 6.20	0.24	Cu
D - Discharge	6.10 - 6.20	0.24	Cu

