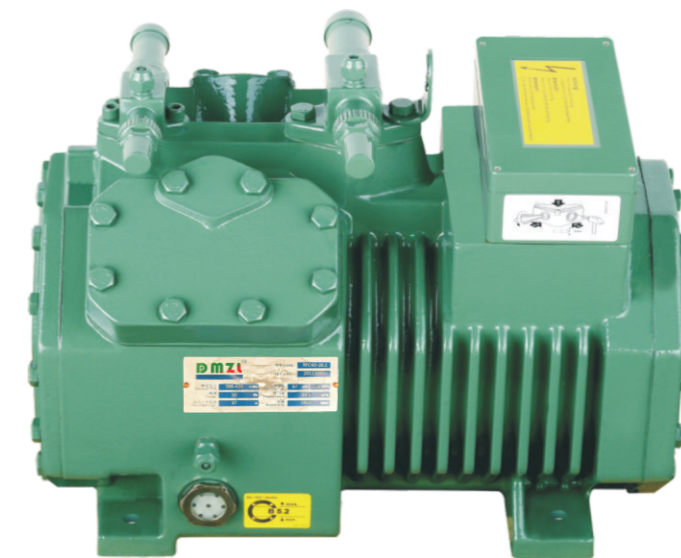


DMZL<sup>®</sup> 大明制冷  
DAMING REFRIGERATION

**DAMING  
REFRIGERATION**

半封闭活塞式制冷压缩机  
SEMI-HERMETIC RECIPROCATING COMPRESSOR



DMZL<sup>®</sup>

浙江大明制冷科技有限责任公司  
ZHEJIANG DAMING REFRIGERATING TECHNOLOGY CO., LTD

地址: 浙江省绍兴市嵊州市黄泽镇东直街165号

Add: No. 165 DongZhi Street, Huangze Town, Shengzhou City, Shaoxing, Zhejiang Province, China.

电话 (Tel): +86 (575) 8350 9662

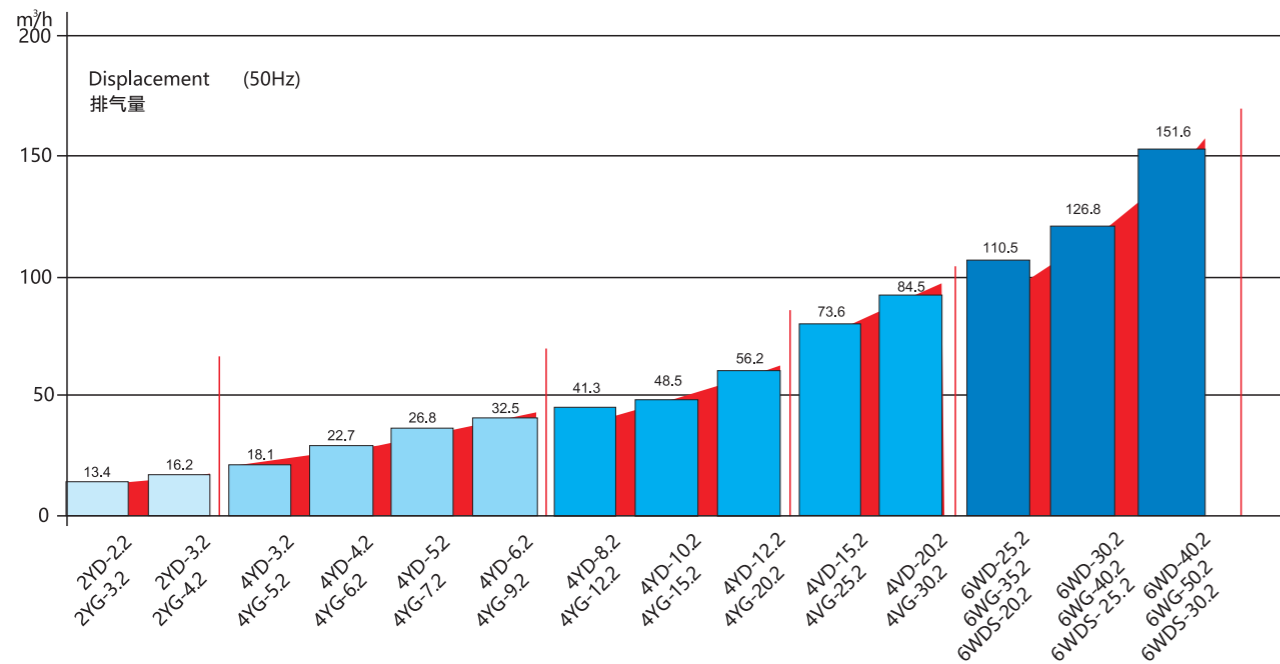
传真 (Fax): +86 (575) 8617 0821

邮箱 (E-mail): sales@dm-compressor.com

网址 (Web): www.dm-compressor.com

中国一流制冷压缩机制造商  
Top Refrigeration Compressor Manufacturer

产品概述 :	产品系列 :
<p>半封闭活塞式制冷压缩机</p> <p>Semi-hermetic Reciprocating Compressor</p>	<p>V系列小二缸机型2-4HP 2-4HP with 2 cylinders</p> <p>Y系列小四缸机型3-9HP 3-9HP with 4 cylinders</p> <p>Y系列中四缸机型8-20HP 8-20HP with 4 cylinders</p> <p>V系列大四缸机型15-30HP 15-30HP with 4 cylinders</p> <p>W系列大六缸机型25-50HP 25-50HP with 6 cylinders</p>



# MODEL NOMENCLATURE

## 型号标识

▶ **2YD-2.2—6WG-50.2**

- 2/4/6 缸数  
Cylinders
- Y/V/W 指机型  
Type
- D/G D指低温, G指中高温  
D for low condensing temperature,  
G for mid & high condensing temperature
- 2 匹数  
Horse-power
- 2 设计系列编号  
Series code

▶ **6WDS-20.2—6WDS-30.2**

- 6 缸数  
Cylinders
- W 指机型  
Type
- DS 双级压缩  
Double Stage
- 20 匹数  
Horse-power
- 2 设计系列编号  
Series code

# APPLICATION LIMITS

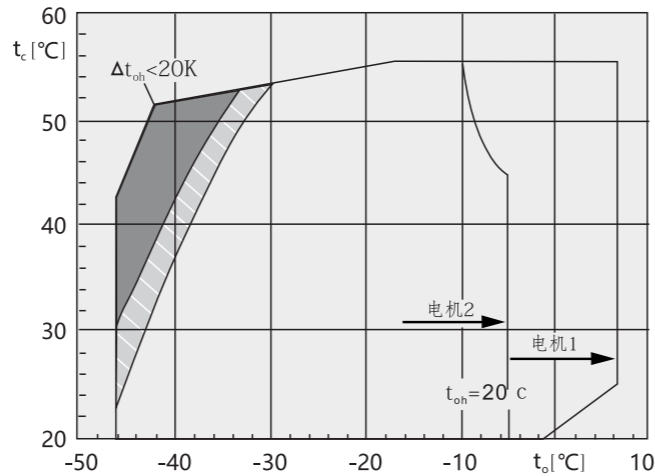
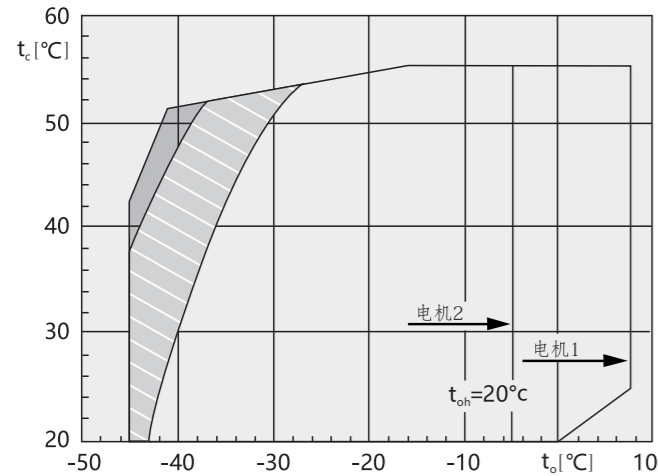
Suction gas temperature 20°C

# 应用范围

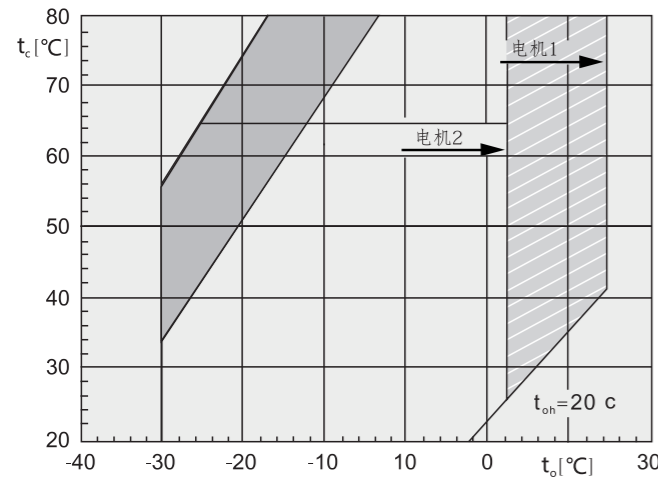
基于吸气温度20°C

**R404A•R507A**  
2YD-2.2—4YG-9.2

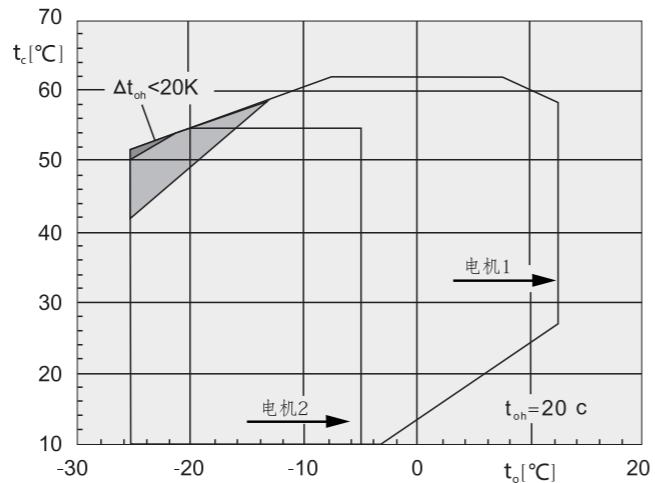
**R404A•R507A**  
4YD-8.2—6WG-50.2  
4S151D—6S501G



**R134a**



**R407C**



$t_e$ Evaporating temperature(°C)	$t_e$ 蒸发温度(°C)
$t_{oh}$ Suction gas temperature(°C)	$t_{oh}$ 吸气温度(°C)
$\Delta t_{oh}$ Suction superheat(K)	$\Delta t_{oh}$ 吸气过热度(K)
$t_c$ Condensing temperature(°C)	$t_c$ 冷凝温度(°C)

	Additional cooling or max. 0°C suction gas temperature
	Additional cooling
	Additional cooling&limited suction gas temperature
	Suction superheat>10K

	附加冷却或最高0°C吸气温度
	附加冷却
	附加冷却+限制最高吸气温度
	吸气过热度>10K

# APPLICATION LIMITS

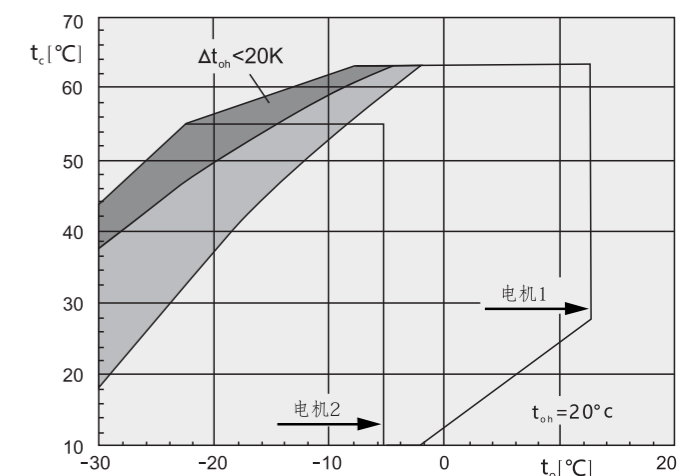
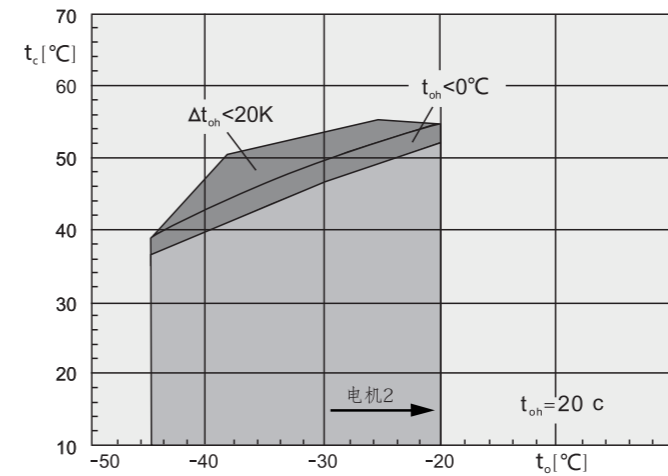
Suction gas temperature 20°C

# 应用范围

基于吸气温度20°C

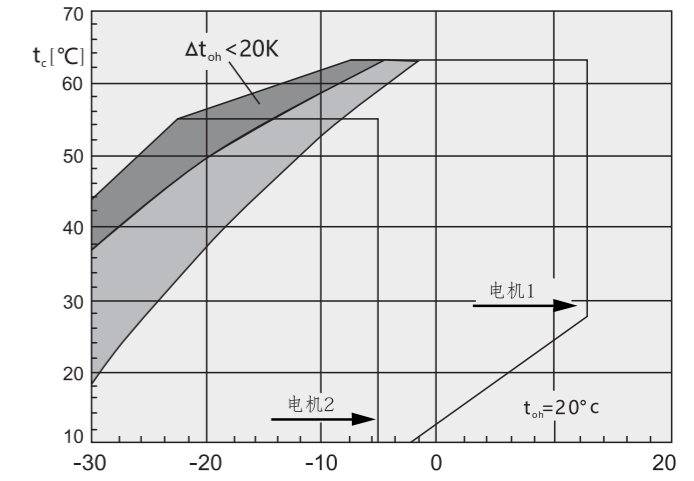
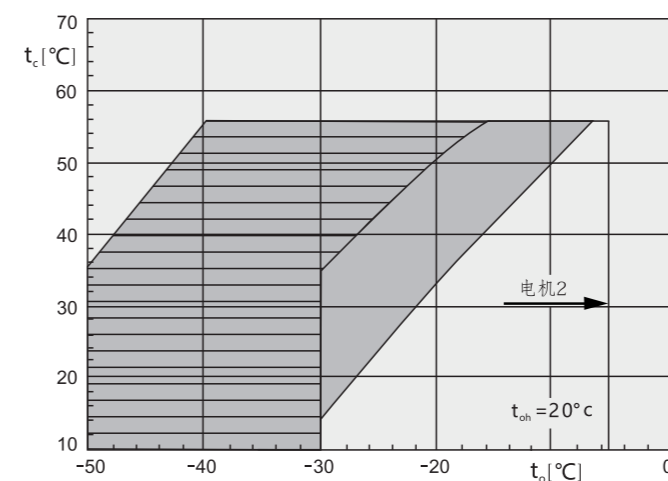
**R22**  
2YD-2.2—4YD-5.2  
空气冷却-直接吸气冷却

**R22**  
2YD-2.2—4YG-9.2  
吸气冷却



**R22**  
4YD-8.2—6WD-40.2  
4S151D—6S401D

**R22**  
4YD-8.2—6WG-50.2  
4S151D—6S501G



$t_e$ Evaporating temperature(°C)	$t_e$ 蒸发温度(°C)
$t_{oh}$ Suction gas temperature(°C)	$t_{oh}$ 吸气温度(°C)
$\Delta t_{oh}$ Suction superheat(K)	$\Delta t_{oh}$ 吸气过热度(K)
$t_c$ Condensing temperature(°C)	$t_c$ 冷凝温度(°C)

	Additional cooling
	Additional cooling&limited suction gas temperature
	Additional cooling&liquid injection cooling system

	附加冷却
	附加冷却+限制最高吸气温度
	附加冷却+喷液冷却系统









压缩机制冷量表 / Refrigeration Capacity R22

型号 Model	冷凝温度 Condensing Temperature °C	制冷量 Refrigeration Capacity Qo(W) 功率消耗 Power Consumption Pe(kW)															
		蒸发温度 Evaporating Temperature(°C)															
		↓	12.5	10	7.5	5	0	-5	-10	-15	-20	-25	-30	-35	-40	-45	-50
6WD-25.2	30	Qo					78500	64100	51700	41050	31950	24600	18010	12460			
		Pe					19.10	17.89	16.51	14.96	13.23	12.34	10.70	8.99			
	40	Qo					70300	57200	45850	36100	27750	20750	14710	9660			
6WG-35.2	30	Qo	149100	136900	125500	114800	95600	79000	64500	52000	41300	32200	24400				
		Pe	20.90	20.60	20.40	20.00	19.27	18.34	17.24	15.96	14.52	12.90	11.12				
	40	Qo	134600	123500	113200	10350	86000	70800	57600	46200	36400	28050	20900				
6WD-30.2	30	Qo					90000	73500	59300	47100	36750	28400	20850	14480			
		Pe					22.00	20.50	18.96	17.27	15.43	14.48	12.59	10.65			
	40	Qo					80600	65600	52700	41600	32200	24100	17130	11280			
6WG-40.2	30	Qo	171300	157200	144100	131800	109700	90600	74000	59700	47500	37100	28300				
		Pe	24.60	24.40	24.00	23.60	22.70	21.50	20.20	18.68	17.05	15.32	13.51				
	40	Qo	154600	141800	129800	118600	98500	81100	66000	53000	41900	32450	24500				
6WD-40.2	30	Qo					106100	86800	70100	55900	43800	34000	25100	17600			
		Pe					27.40	25.50	23.50	21.20	18.92	17.07	14.95	12.96			
	40	Qo					95300	77700	62600	49650	38700	29150	20900	13960			
6WG-50.2	30	Qo	201400	184800	169400	155000	129100	106700	87300	70600	56300	44150	33900				
		Pe	31.90	31.40	30.80	30.20	28.70	27.10	25.30	23.30	21.20	18.97	16.66				
	40	Qo	181700	166700	152800	139800	116300	95900	78300	63100	50100	39050	29700				
6WDS-20.2	30	Qo					35500	29700	24500	19970	15960	12400	9180				
		Pe					15.46	14.21	12.95	11.68	10.41	9.15	7.91				
	40	Qo					34750	29100	24050	19560	15560	11940	8590				
6WDS-25.2	30	Qo					40800	34050	28150	22900	18320	14230	10540				
		Pe					17.75	16.31	14.86	13.41	11.95	10.51	9.08				
	40	Qo					39900	33400	27600	22450	17860	13700	9860				
6WDS-30.2	30	Qo					48800	40750	33700	27400	21900	17030	12610				
		Pe					21.23	19.52	17.78	16.04	14.30	12.57	10.86				
	40	Qo					47750	39950	33000	26850	21350	16390	11790				

参数基于吸气温度20°C, 50Hz, 液体无过冷。Suction gas temperature 20°C, 50Hz, without liquid subcooling .  
 附加冷却或限制吸气温度。Additional cooling or limited suction gas temperature.  
 附加冷却和喷液冷却系统。 Additional cooling & liquid injection cooling system .



压缩机制冷量表 / Refrigeration Capacity R404A/R507A

型号 Model	冷凝温度 Condensing Temperature °C	制冷量 Refrigeration Capacity Qo(W) 功率消耗 Power Consumption Pe(kW)																	
		蒸发温度 Evaporating Temperature(°C)																	
		↓	7.5	5	0	-5	-10	-15	-20	-25	-30	-35	-40	-45	-50	-55	-60	-65	-70
2YD-2.2	30	Qo					10110	8340	6810	5490	4360	3390	2570	1880	1300				
		Pe					2.72	2.59	2.43	2.25	2.05	1.83	1.59	1.35	1.09				
	40	Qo					8490	6980	5670	4530	3560	2720	2020	1420	920				
2YG-3.2	30	Qo	15940	14630	12260	10200	8420	6870	5540	4400	3420	2590	1890						
		Pe	2.79	2.8	2.77	2.71	2.6	2.45	2.28	2.08	1.86	1.62	1.37						
	40	Qo	13510	12390	10380	8610	7080	5750	4600	3610	2760	2040	1430						
2YD-3.2	30	Qo					12470	10290	8400	6780	5380	4190	3180	2330	1630				
		Pe					3.33	3.15	2.95	2.72	2.48	2.21	1.93	1.64	1.35				
	40	Qo					10510	8650	7040	5640	4440	3420	2550	1810	1200				
2YG-4.2	30	Qo	19440	17840	14960	12450	10280	8400	6770	5380	4190	3170	2320						
		Pe	3.48	3.48	3.42	3.32	3.17	2.98	2.76	2.50	2.23	1.94	1.64						
	40	Qo	16470	15110	12660	10520	8660	7050	5650	4450	3420	2540	1810						
4YD-3.2	30	Qo					13720	11330	9260	7470	5940	4630	3510	2580	1800				
		Pe					3.85	3.66	3.44	3.18	2.90	2.58	2.24	1.88	1.50				
	40	Qo					11560	9520	7740	6200	4880	3750	2790	1980	1310				
4YG-5.2	30	Qo	21550	19790	16590	13810	11400	9320	7520	5970	4650	3530	2580						
		Pe	3.78	3.79	3.76	3.67	3.52	3.32	3.07	2.79	2.48	2.15	1.81						
	40	Qo	18240	16740	14020	11650	9580	7790	6240	4900	3760	2790	1970						
4YD-4.2	30	Qo					17330	14290	11660	9400	7450	5800	4390	3210	2220				
		Pe					4.61	4.39	4.12	3.81	3.45	3.06	2.65	2.22	1.78				
	40	Qo					14440	11870	9650	7720	6070	4650	3450	2440	1590				
4YG-6.2	30	Qo					21100	17420	14220	11470	9100	7080	5370	3930	2730				
		Pe					5.52	5.29	4.99	4.62	4.18	3.70	3.19	2.66	2.11				
	40	Qo					17650	14520	11810	9460	7440	5720	4250	3010	1980				
4YD-5.2	30	Qo					14300	11730	9490	7550	5880	4440	3220	2190					
		Pe					7.07	6.53	5.93	5.29	4.62	3.92	3.22	2.52					
	40	Qo					12250	10000	8100	6500	5100	3900	2800	1900					
4YG-7.2	30	Qo	32600	29900	25000	20800	17120	13950	11210	8860	6860	5160	3720						
		Pe	5.49	5.52	5.51	5.39	5.18	4.88	4.52	4.10	3.63	3.12	2.59						
	40	Qo	27500	25200	21100	17490	14350	11630	9270	7250	5510	4040	2800						

参数基于吸气温度20°C, 50Hz, 液体无过冷。Suction gas temperature 20°C, 50Hz, without liquid subcooling .  
 附加冷却或限制吸气温度。Additional cooling or limited suction gas temperature.





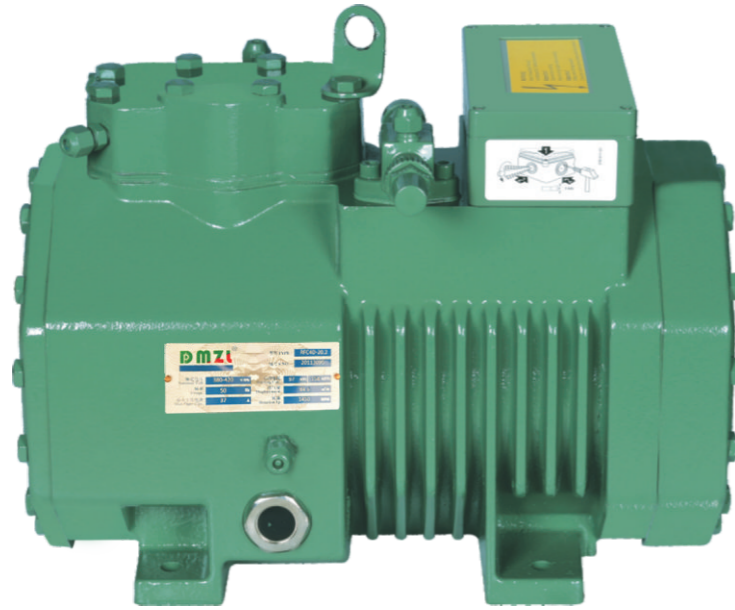
压缩机技术参数 / Technical Data

压缩机 型号 Compressor Model	电机 名义 功率 Nominal Motor- Power Hp/kW	排气量 m <sup>3</sup> /h 50/60Hz	缸数x直径 x行程 Number Of Cylinder x Diameter x Stoke mm	吸、排气阀接管 Suction, Discharge Line mm		油注入量 Oil Volume L	电源 Power Supply V/Φ/Hz	电气参数 Electrical Parameter		曲轴箱加热器 Crankcase Heater (220v) W	供油方式 Oil Supply Method	重量 Weight kg
				DL Discharge Valve	SL Suction Valve			最大工作 电流(A) Max Operating Current	启动、堵转 电流(A) Starting/ Locked Current			
2YD-2.2	2/1.5	13.4/16.2	2 × Φ50 × 39.3	Φ16	Φ22	1.5	220-240△ /380- 420Y/3/50 265-290△ /440- 480Y/3/60	11.9/6.9	53.7/30.7	120	离心润滑 Centrifugal lubrication	67.5
2YG-3.2	3/2.2	13.4/16.2	2 × Φ50 × 39.3	Φ16	Φ22	1.5		13.5/7.8	64/37	120		70.5
2YD-3.2	3/2.2	16.2/19.6	2 × Φ55 × 39.3	Φ16	Φ22	1.5		14.8/8.5	64/37	120		70
2YG-4.2	4/3	16.2/19.6	2 × Φ55 × 39.3	Φ16	Φ22	1.5		16.4/9.4	76.6/44.2	120		70
4YD-3.2	3/2.2	18.1/21.8	4 × Φ41 × 39.3	Φ16	Φ22	2		15.9/9.2	76.6/44.2	120		82
4YG-5.2	5/3.7	18.1/21.8	4 × Φ41 × 39.3	Φ16	Φ22	2		18.7/10.8	107.7/62.2	120		86
4YD-4.2	4/3	22.7/27.4	4 × Φ46 × 39.3	Φ22	Φ28	2		18.5/10.7	92.7/53.2	120		84
4YG-6.2	6/4.4	22.7/27.4	4 × Φ46 × 39.3	Φ22	Φ28	2		22.9/13.2	107.7/62.2	120		86
4YD-5.2	5/3.7	26.8/32.4	4 × Φ50 × 39.3	Φ22	Φ28	2		23.4/13.5	107.7/62.2	120		85.5
4YG-7.2	7/5.1	26.8/32.4	4 × Φ50 × 39.3	Φ22	Φ28	2		27.5/15.9	142.8/82.4	120		88.5
4YD-6.2	6/4.4	32.5/39.2	4 × Φ55 × 39.3	Φ22	Φ28	2		27.5/15.9	142.8/82.4	120		90.5
4YG-9.2	9/6.6	32.5/39.2	4 × Φ55 × 39.3	Φ22	Φ28	2		34.5/20	142.8/82.4	120		90.5
4YD-8.2	8/5.5	41.3/49.9	4 × Φ60 × 42	Φ28	Φ35	2.6		17	49/81	120		134
4YG-12.2	12/8.8	41.3/49.9	4 × Φ60 × 42	Φ28	Φ35	2.6		24	69/113	140		141
4YD-10.2	10/7.5	48.5/58.5	4 × Φ65 × 42	Φ28	Φ35	2.6	21	59/99	140	139		
4YG-15.2	15/10.5	48.5/58.5	4 × Φ65 × 42	Φ28	Φ35	2.6	31	81/132	140	147		
4YD-12.2	12/8.8	56.2/67.9	4 × Φ70 × 42	Φ28	Φ35	2.6	24	69/113	140	141		

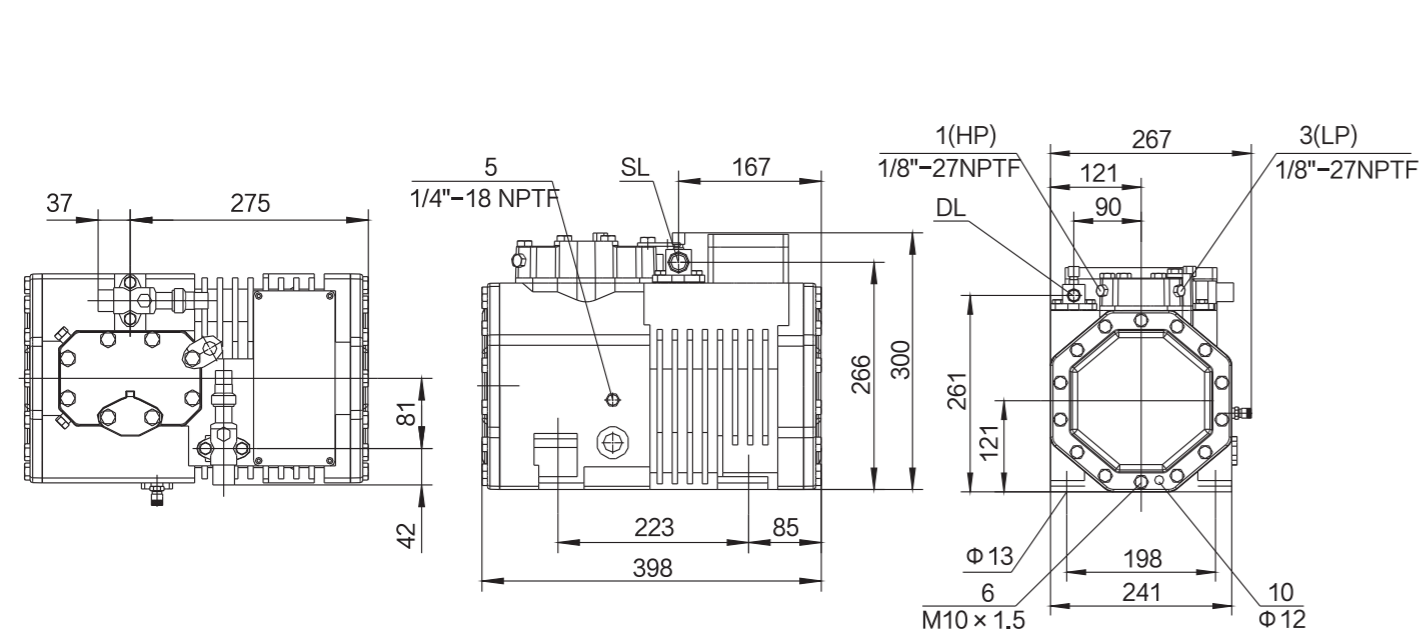
压缩机技术参数 / Technical Data

压缩机 型号 Compressor Model	电机 名义 功率 Nominal Motor- Power Hp/kW	排气量 m <sup>3</sup> /h 50/60Hz	缸数x直径 x行程 Number Of Cylinder x Diameter x Stoke mm	吸、排气阀接管 Suction, Discharge Line mm		油注入量 Oil Volume L	电源 Power Supply V/Φ/Hz	电气参数 Electrical Parameter		曲轴箱加热器 Crankcase Heater (220v) W	供油方式 Oil Supply Method	重量 Weight kg
				DL Discharge Valve	SL Suction Valve			最大工作 电流(A) Max Operating Current	启动、堵转 电流(A) Starting/ Locked Current			
4YG-20.2	20/15	56.2/67.9	4 × Φ70 × 42	Φ28	Φ42	2.6	380- 420Y/3/50 440- 480Y/3/60	37	97/158	140	离心润滑 Centrifugal lubrication	150
4VD-15.2	15/10.5	73.6/88.8	4 × Φ70 × 55	Φ28	Φ42	4		31	81/132	140	油泵供油 Forced- lubrication	183
4VG-25.2	25/18.5	73.6/88.8	4 × Φ70 × 55	Φ28	Φ54	4.5		45	116/193	140		203
4VD-20.2	20/15	84.5/101.9	4 × Φ75 × 55	Φ28	Φ54	4.5		37	97/158	140		192
4VG-30.2	30/22	84.5/101.9	4 × Φ75 × 55	Φ28	Φ54	4.5		53	135/220	140		206
6WD-25.2	25/18.5	110.5/133.4	6 × Φ70 × 55	Φ35	Φ54	4.75		45	116/193	140		224
6WG-35.2	35/25.5	110.5/133.4	6 × Φ70 × 55	Φ42	Φ54	4.75		61	147/262	140		235
6WD-30.2	30/22	126.8/153.0	6 × Φ75 × 55	Φ35	Φ54	4.75		53	135/220	140		228
6WG-40.2	40/30	126.8/153.0	6 × Φ75 × 55	Φ42	Φ54	4.75		78	180/323	140		238
6WD-40.2	40/30	151.6/183.0	6 × Φ82 × 55	Φ42	Φ54	4.75		78	180/323	140		239
6WG-50.2	50/37	151.6/183.0	6 × Φ82 × 55	Φ42	Φ54	4.75		92	226/404	140		241
6WDS-20.2	20/15	73.6/36.9 88.8/44.5	6 × Φ70/70 × 55	Φ35	Φ42	4.75		37	97/158	140		220
6WDS-25.2	25/18.5	84.5/42.3 101.9/51.1	6 × Φ75/75 × 55	Φ35	Φ42	4.75		45	116/193	140		233
6WDS-30.2	30/22	101.1/50.5 122.0/60.9	6 × Φ82/82 × 55	Φ35	Φ42	4.75		53	135/220	140		234

2YD-2.2---2YG-4.2 压缩机/2YD-2.2---2YG-4.2 Compressor



2YD-2.2---2YG-4.2 压缩机外形图/Dimensional drawing of 2YD-2.2---2YG-4.2 compressor



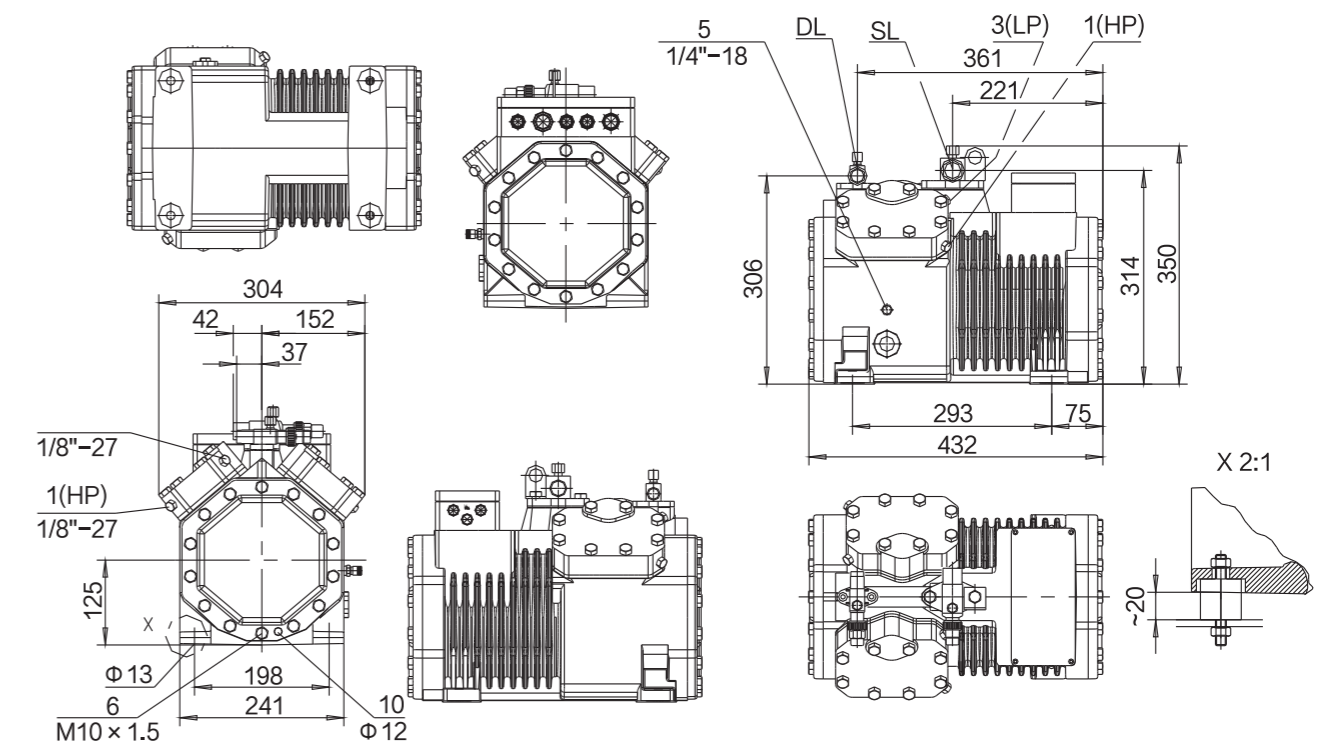
DL排气阀件/DL Discharge Valve

SL吸气阀件/SL Suction Valve

4YD-3.2---4YG-9.2 压缩机/4YD-3.2---4YG-9.2 Compressor



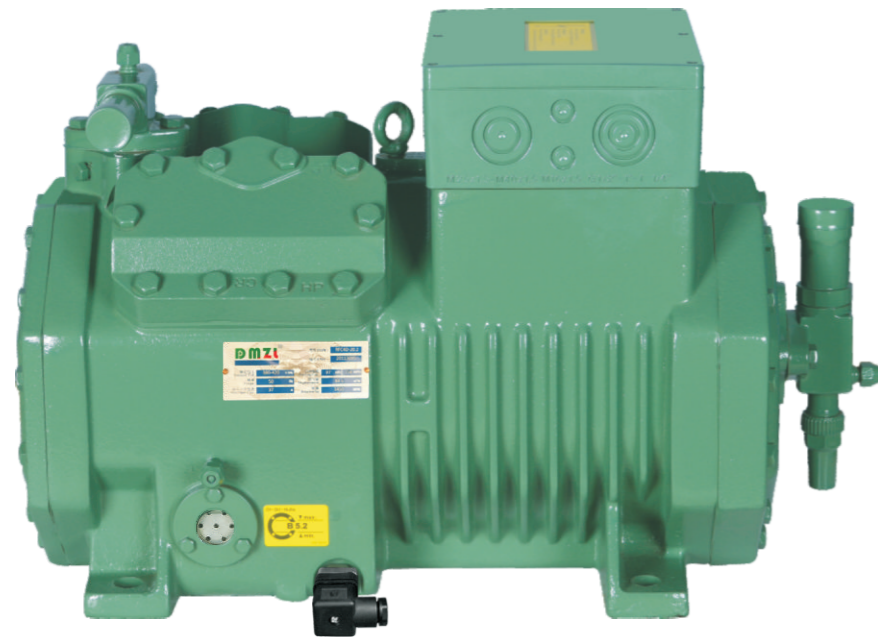
4YD-3.2---4YG-9.2 压缩机外形图/Dimensional drawing of 4YD-3.2---4YG-9.2 compressor



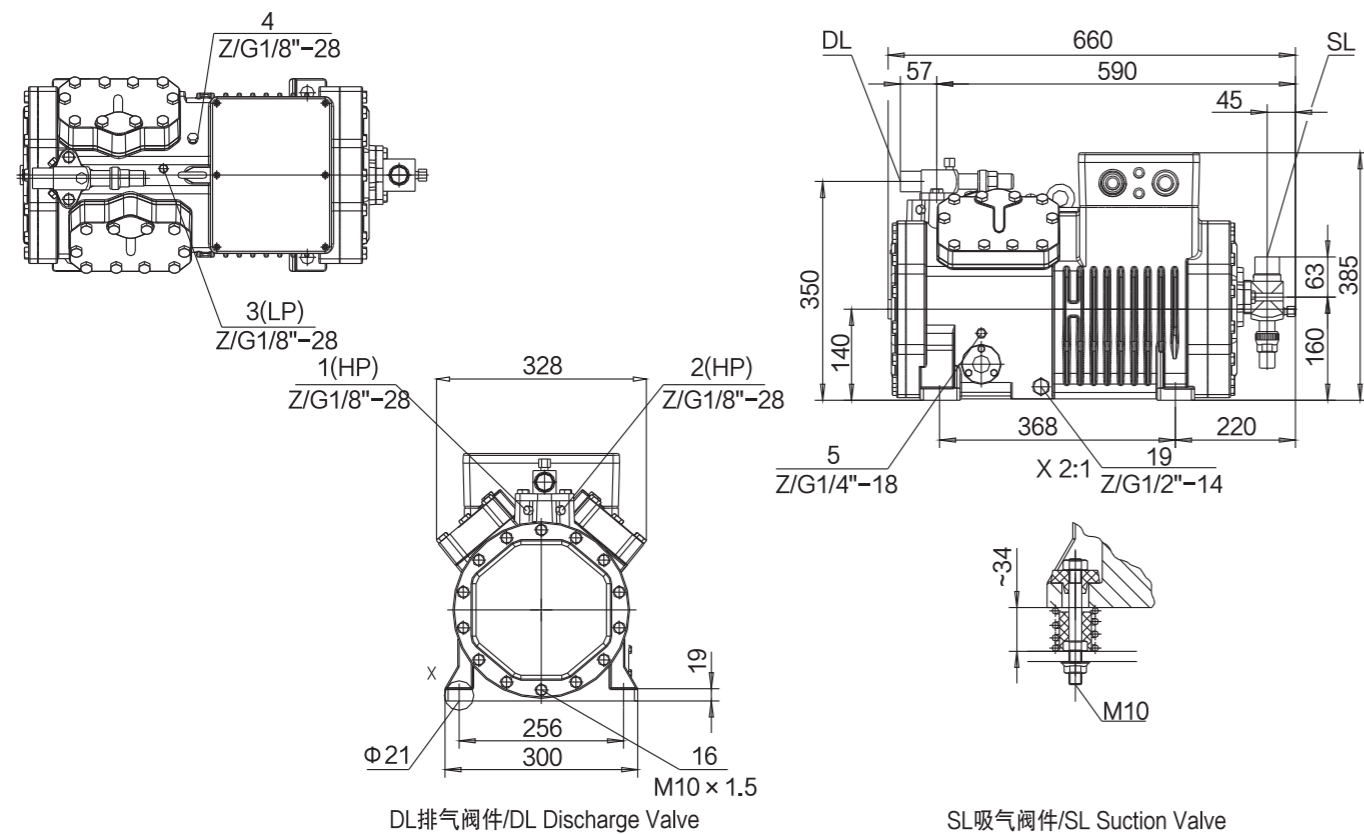
DL排气阀件/DL Discharge Valve

SL吸气阀件/SL Suction Valve

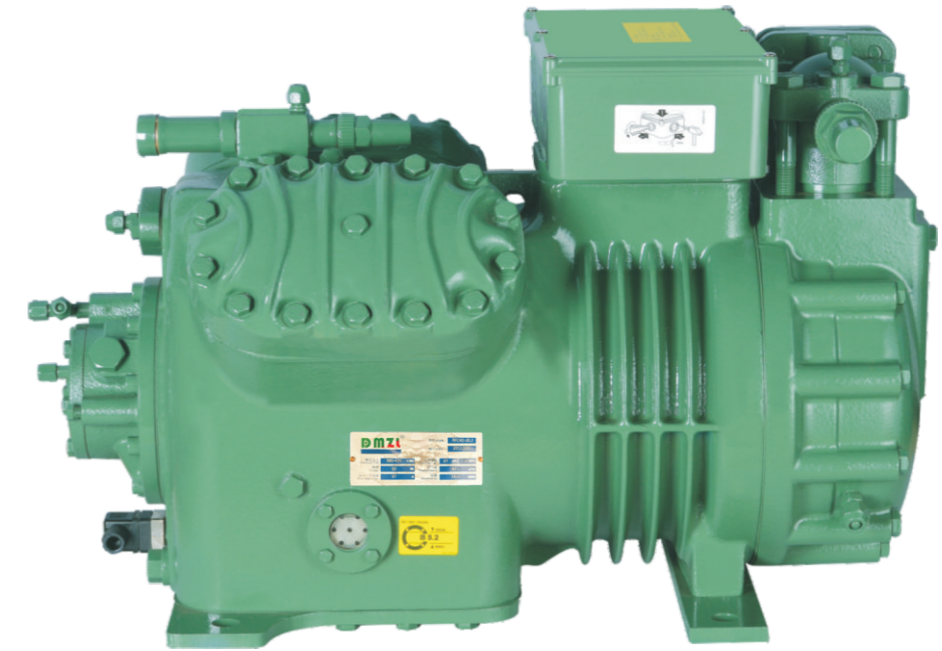
4YD-8.2---4YG-20.2 压缩机/4YD-8.2---4YG-20.2 Compressor



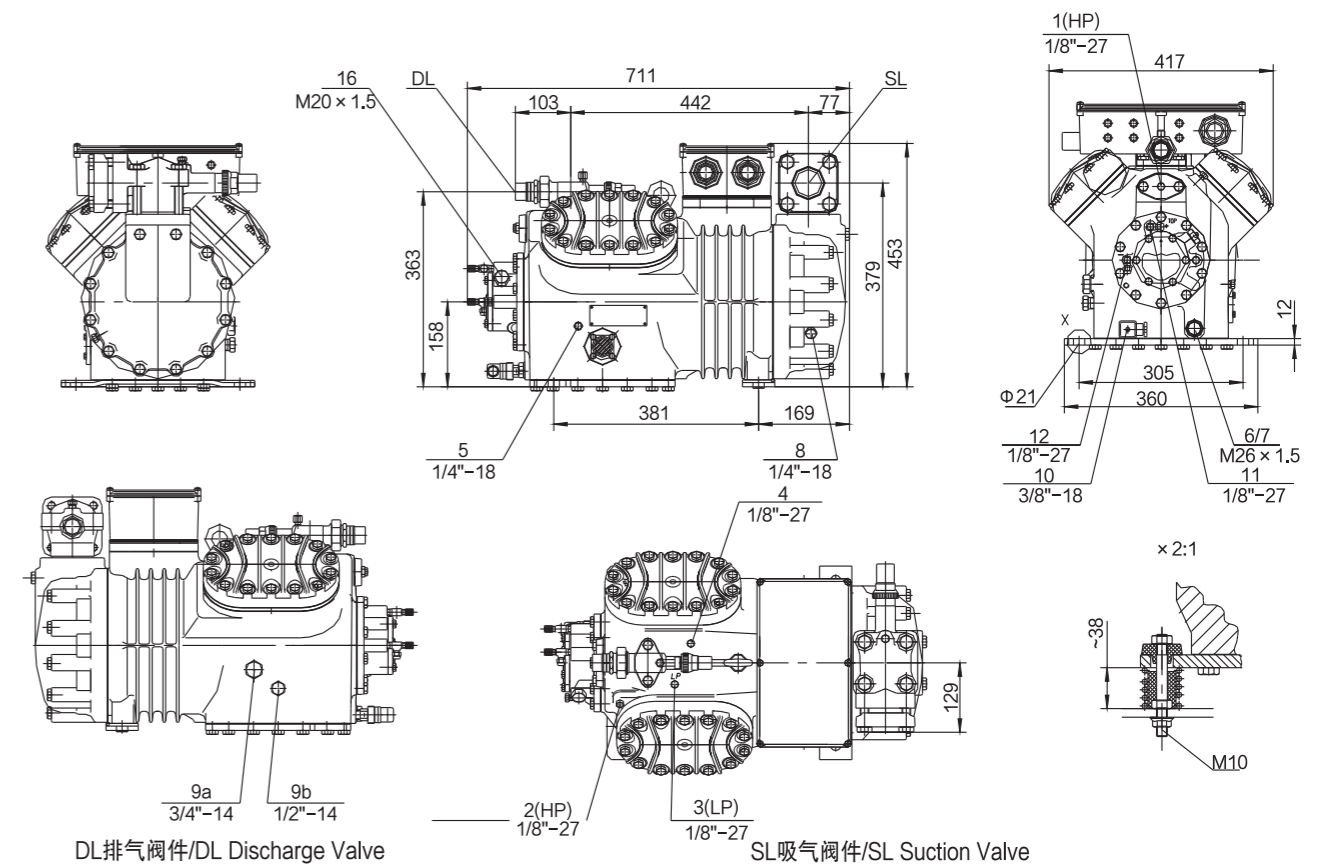
4YD-8.2---4YG-20.2 压缩机外形图/Dimensional drawing of 4YD-8.2---4YG-20.2 compressor



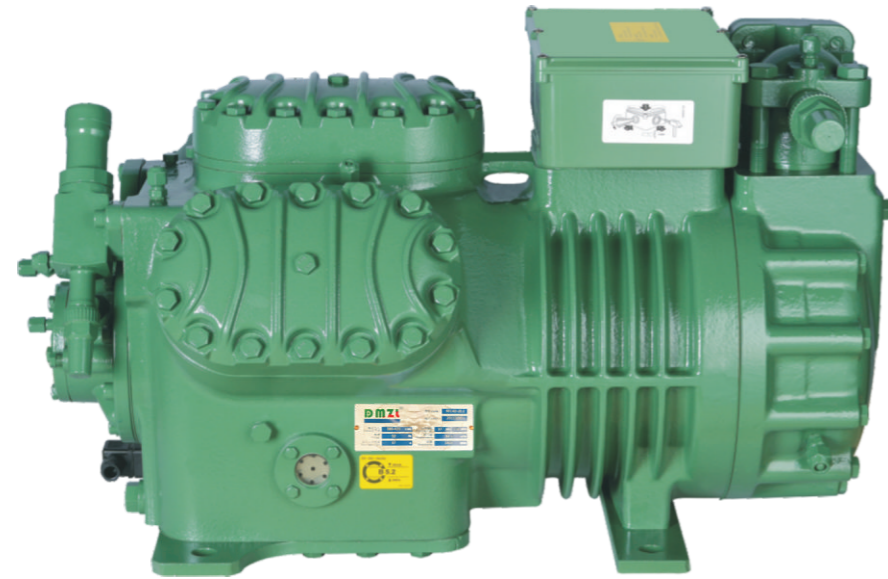
4VD-15.2---4VG-30.2 压缩机/4VD-15.2---4VG-30.2 Compressor



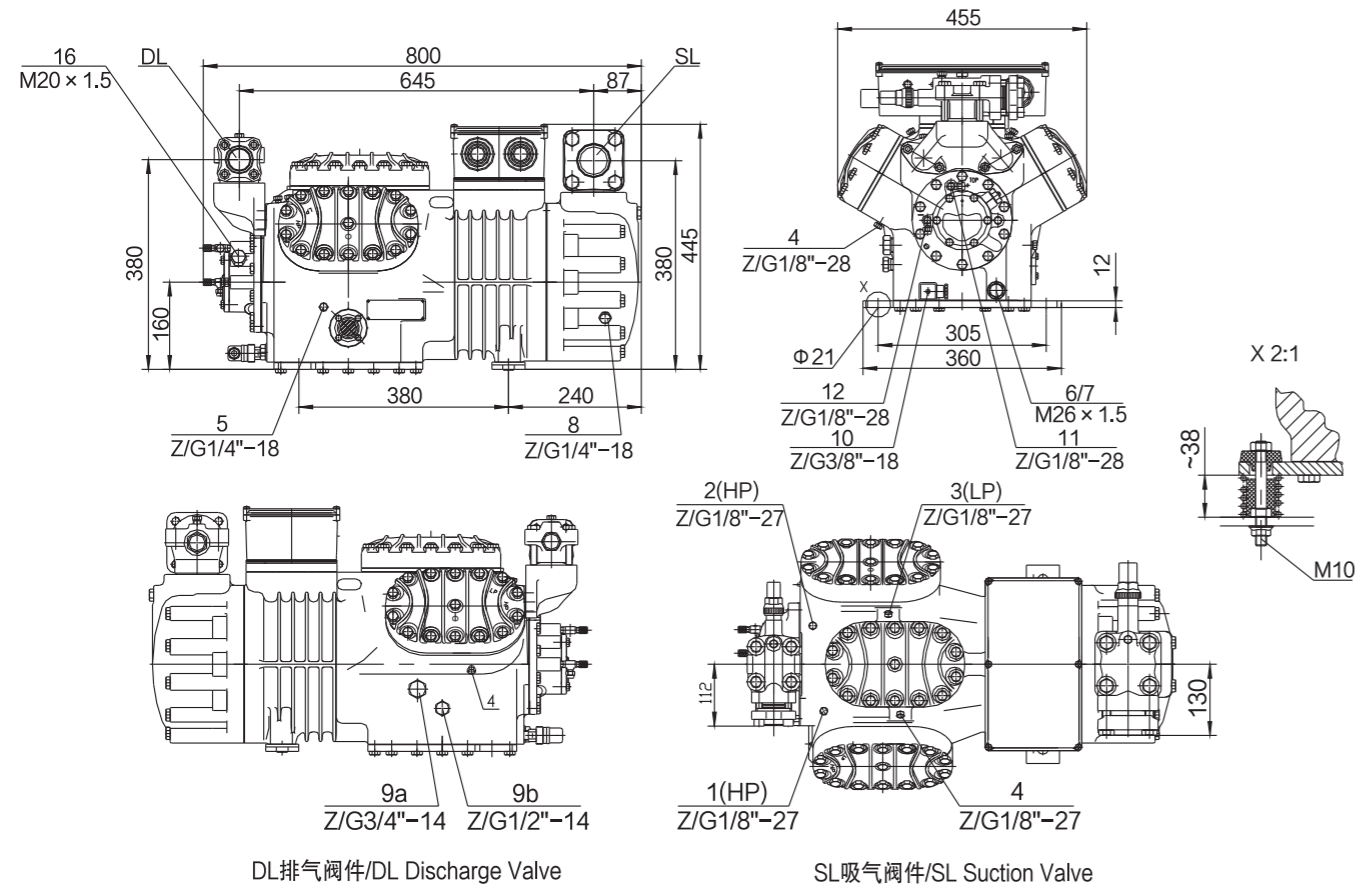
4VD-15.2---4VG-30.2 压缩机外形图/Dimensional drawing of 4VD-15.2---4VG-30.2 compressor



6WD-25.2---6WG-50.2 压缩机/6WD-25.2---6WG-50.2 Compressor



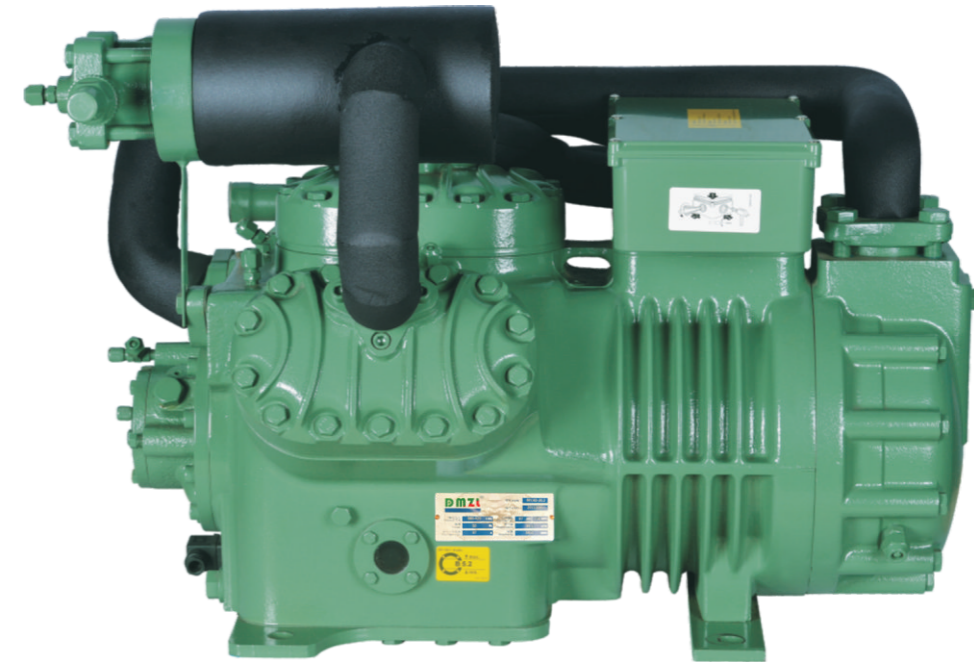
6WD-25.2---6WG-50.2 压缩外形图/Dimensional drawing of 6WD-25.2---6WG-50.2 compressor



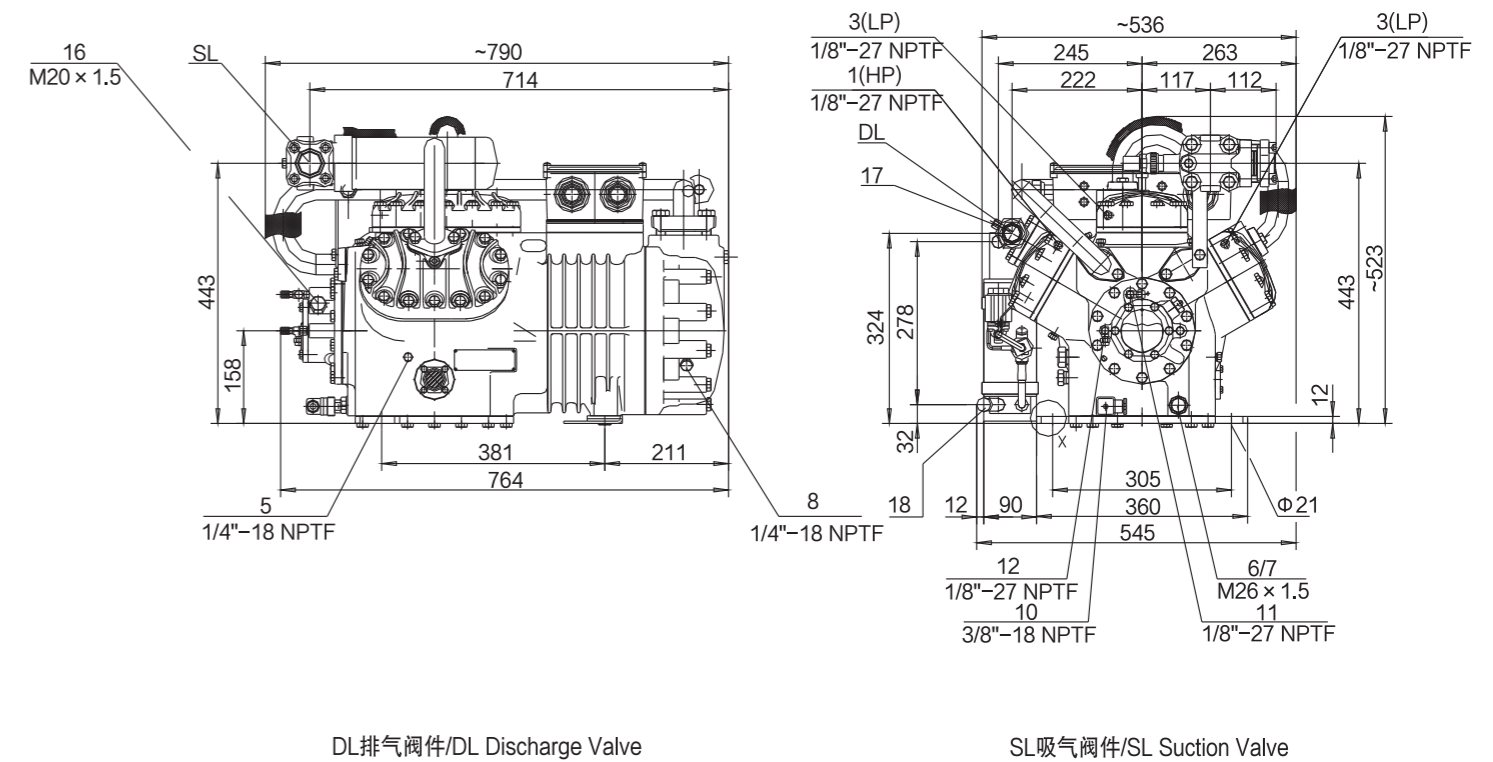
DL排气阀件/DL Discharge Valve

SL吸气阀件/SL Suction Valve

6WDS-20.2---6WDS-30.2 双级压缩机/Double-Stage Compressor



6WDS-20.2---6WDS-30.2 双级压缩机外形图/Dimensional drawing of Double-Stage Compressor



DL排气阀件/DL Discharge Valve

SL吸气阀件/SL Suction Valve